

6 5 4 3 2 1

D

C

B

A

2556 Lift shaft dimension

1825 Lift shaft dimension

2300 Head room

7030

4600

2300

130 mm pit depth

575 * 230

575 * 100

575 * 130

575 * 575

575 * 575

575 * 575

575 * 575

575 * 575

575 * 575

575 * 575

575 * 575

575 * 575

575 * 575

575 * 575

575 * 575

575 * 575

575 * 575

575 * 575

575 * 575

575 * 575

Fixing points, 4 kN

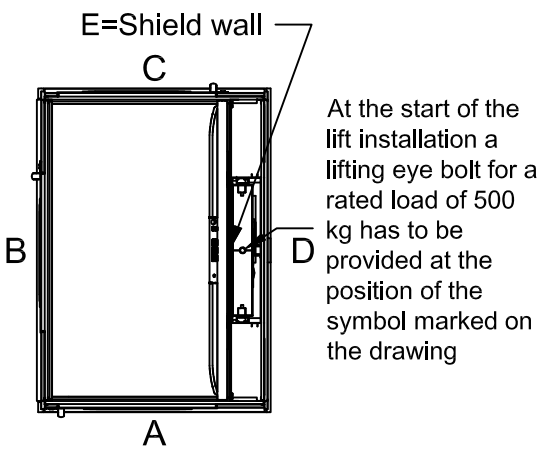
1406

2085

2215

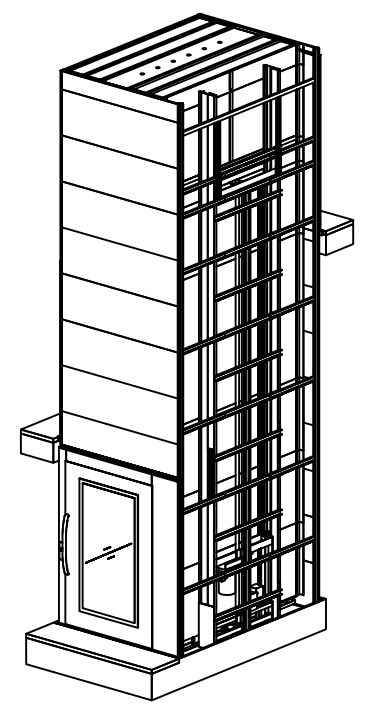
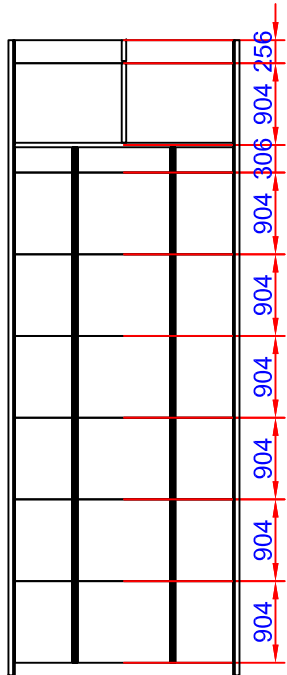
*To be adapted on site
**Customized panel

Positioning of machinery:



E=Shield wall

At the start of the lift installation a lifting eye bolt for a rated load of 500 kg has to be provided at the position of the symbol marked on the drawing



Options
4 kW Frekv 3x400V 50-60 Hz Soft
Capacity: 1 000,00 kg

Approved by builder:

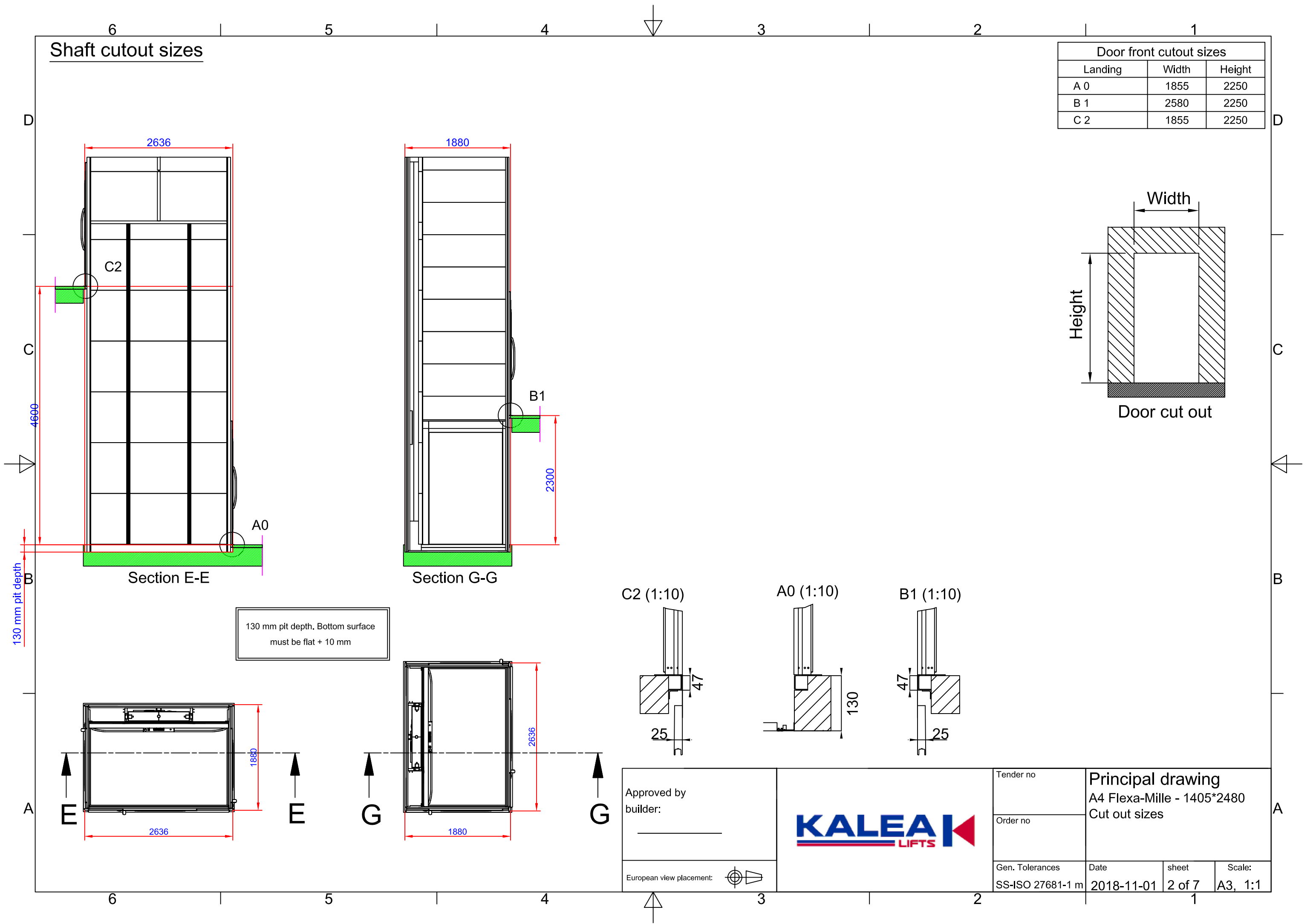


European view placement:

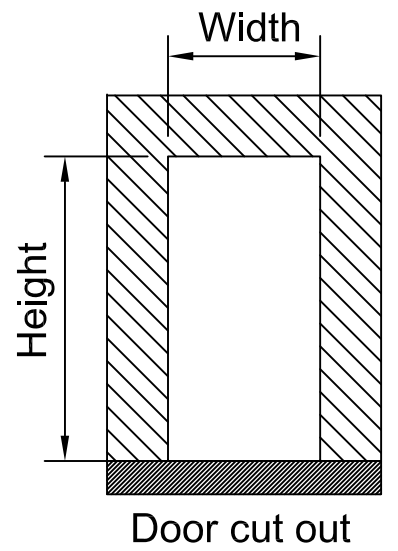
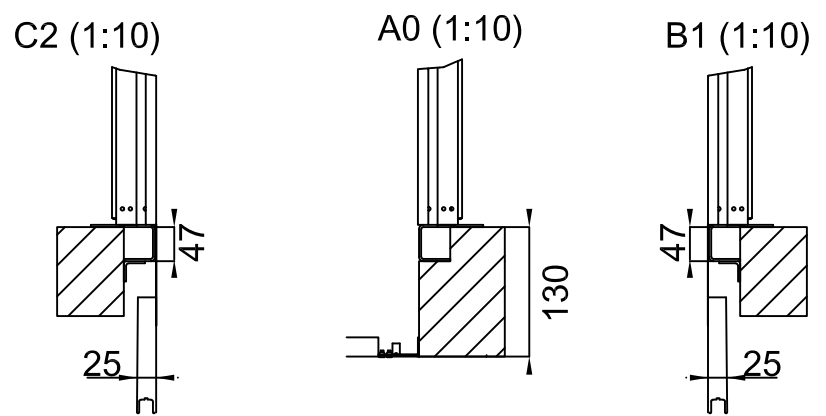
Tender no	Principal drawing		
Order no	A4 Flexa-Mille - 1405*2480		
	Shaft drawing		
Gen. Tolerances	Date	sheet	Scale:
SS-ISO 27681-1 m	2018-11-01	1 of 7	A3, 1:1

Shaft cutout sizes

Door front cutout sizes		
Landing	Width	Height
A 0	1855	2250
B 1	2580	2250
C 2	1855	2250



130 mm pit depth, Bottom surface must be flat + 10 mm



Approved by builder: _____	KALEA LIFTS	Tender no		Principal drawing A4 Flexa-Mille - 1405*2480 Cut out sizes	
		Order no			
European view placement:		Gen. Tolerances SS-ISO 27681-1 m	Date 2018-11-01	sheet 2 of 7	Scale: A3, 1:1

Loads sustained by shaft and platform
and fixing points bottom frame

Recommended positioning of fixing points.
Loads per fixing point, $F = 4 \text{ kN}$

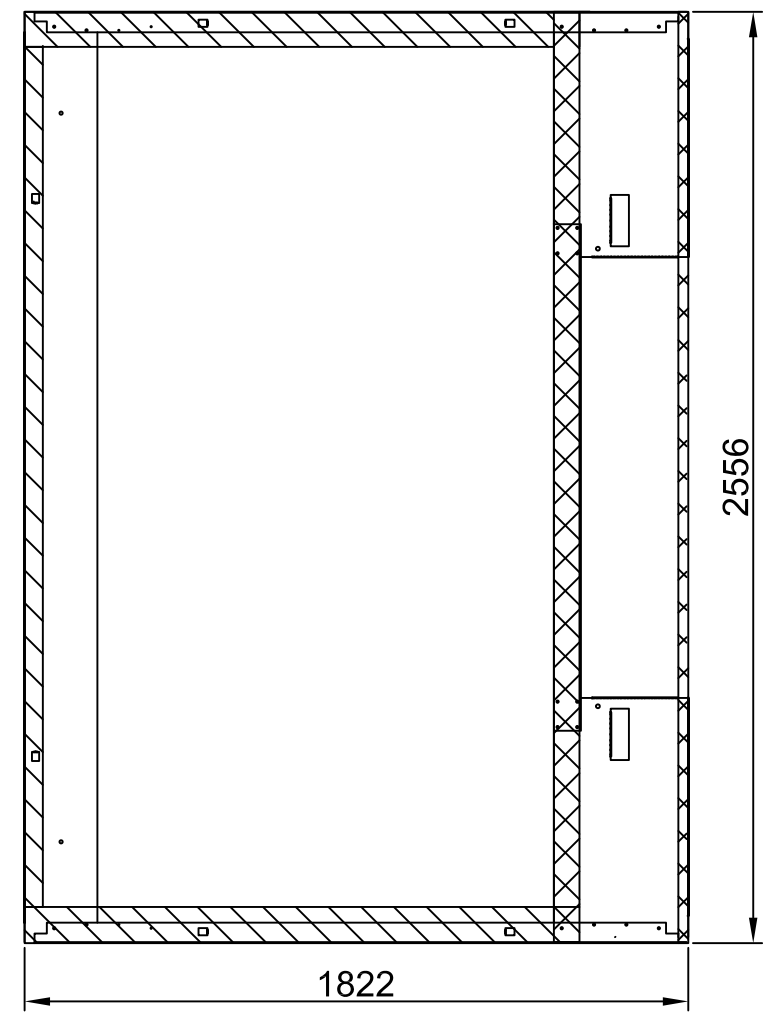
A (1:5)



L section force: 3,48 kN
L section load: 11,41 kN/m²

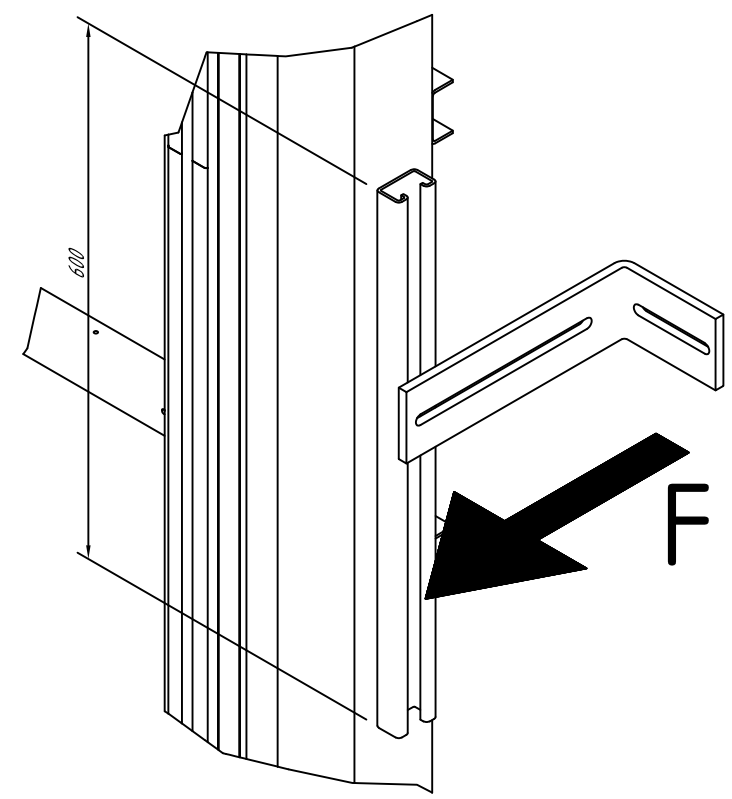
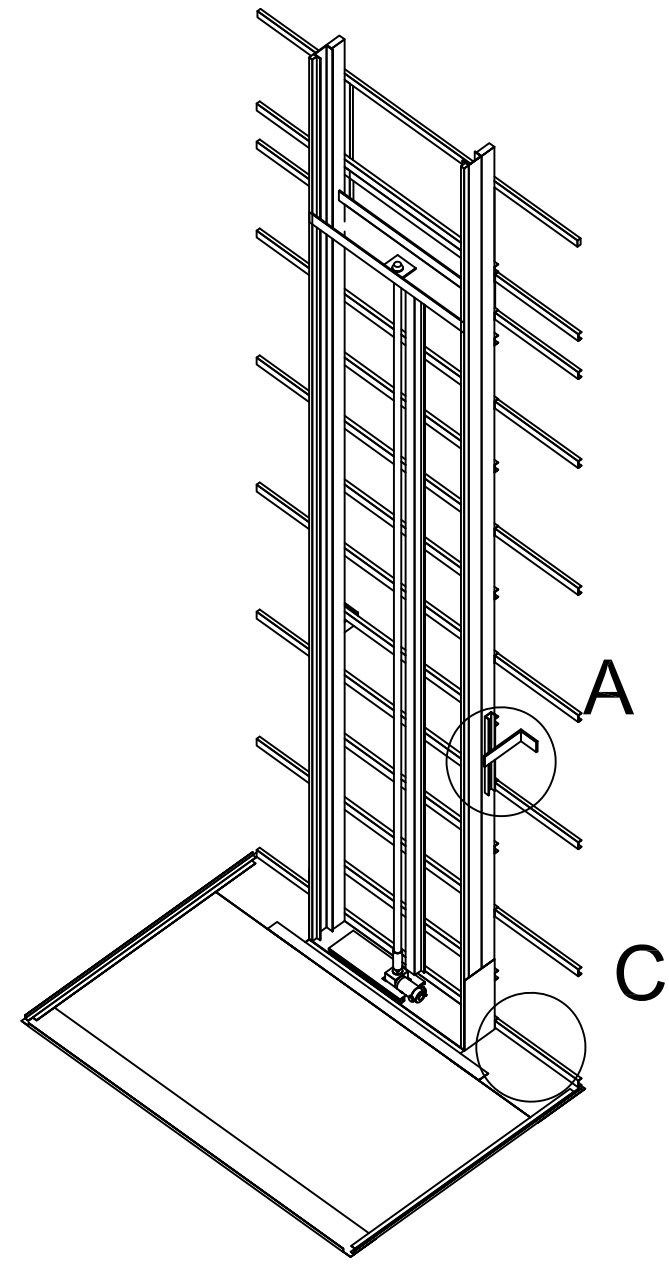
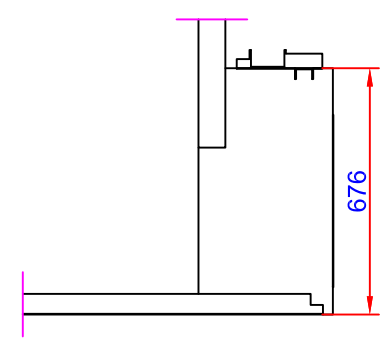


Mast force: 15,85 kN
Mast load: 127,82 kN/m²



Scale: 1:20

C (1:20)



Approved by
builder:

European view placement:



Tender no	Principal drawing		
Order no	A4 Flexa-Mille - 1405*2480		
Gen. Tolerances	Date	sheet	Scale:
SS-ISO 27681-1 m	2018-11-01	3 of 7	A3, 1:1